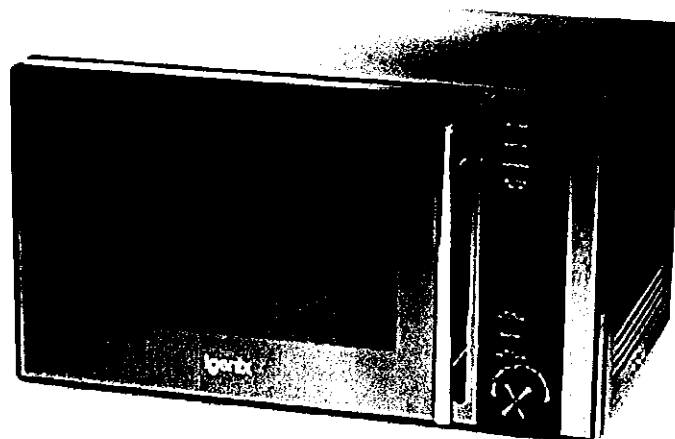


IGENIX

Igenix IG2590 Digital
Combination Microwave with
Grill and Convection, 5 Power
Levels and 10 Auto Cooking
Menus, 95 Minute Timer, 900
W, 25 Litre, [Energy Class A+]



*Series 3095 update
Now + energy rated*

Technical Details

Brand	Igenix
Model Number	IG2590
Colour	Black
Item Weight	18 Kg
Product Dimensions	49.8 x 51.3 x 30.6 cm
Capacity	25 litres
Volume Capacity	25 litres
Power / Wattage	900 watts
Voltage	240 volts
Material	Stainless Steel
Auto Shutoff	No
Energy Efficiency Class	A+

Trouble with your microwave? ...

Try our troubleshooting
guide on page 9.

If that does not solve the
issue contact us ...

IGENIX

Tel: 01473 271 272

Fax: 01473 270 733

Email: info@igenix.co.uk

Website: www.igenix.co.uk

Postal Address:

Customer Service Department
Pik-a-Pak Electrical Distributors
38 Bluestem Road,
Ransomes Europark,
Ipswich, IP3 9RR

When writing to or emailing us to report a fault please ensure you attach a copy of your proof of purchase. Please retain your original

SAFETY INSTRUCTIONS

Important: This appliance is not intended for use by persons including children with reduced physical, sensory or mental capabilities, or lack of experience and knowledge, unless they have been given supervision or instruction concerning use of the appliances by a person responsible for their safety.

WARNING: To reduce the risk of burns, electric shock, fire, injury to persons or exposure to excessive microwave energy:

1. Read all instructions before using the appliance.
2. This appliance is for domestic use only.
3. This appliance is for indoor use only. Do not use outdoors.
4. Use this appliance only for its intended use as described in this manual. Do not use corrosive chemicals or vapors in this appliance. This type of oven is specifically designed to heat, cook or dry food. It is not designed for industrial or laboratory use.
5. Do not operate the oven when empty.
6. Do not operate this appliance if it has a damaged cord or plug, if it is not working properly or if it has been damaged or dropped. If the supply cord is damaged, it must be replaced by the manufacturer or its service agent or a similarly qualified person in order to avoid a hazard
7. **WARNING:** Children should be supervised to ensure that they do not play with the appliance.
8. To reduce the risk of fire in the oven cavity:
 1. When heating food in plastic or paper container, check the oven frequently to the possibility of ignition.
 2. Remove wire twist-ties from paper or plastic bags before placing bag in oven.
 3. If smoke is observed, switch off or unplug the appliance and keep the door closed in order to stifle any flames.
 4. Do not use the cavity for storage purposes. Do not leave paper products, cooking utensils or food in the cavity when not in use.
9. **WARNING:** Liquid or other food must not be heated in sealed containers since they are liable to explode.
10. Microwave heating of beverage can result in delayed eruptive boiling, therefore care has to be taken when handle the container.
11. Do not fry food in the oven. Hot oil can damage oven parts and utensils and even result in skin burns.
12. Eggs in their shell and whole hard-boiled eggs should not be heated in microwave ovens since they may explode even after microwave heating has ended.
13. Pierce foods with heavy skins such as potatoes, whole squashes, apples and chestnuts before cooking.
14. The contents of feeding bottles and baby jars should be stirred or shaken and the temperature should be checked before serving in order to avoid burns.
15. Cooking utensils may become hot because of heat transferred from the heated food. Potholders may be needed to handle the utensil.
16. Utensils should be checked to ensure that they are suitable for use in microwave oven.
17. **WARNING:** It is hazardous for anyone other than a trained person to carry out any service or repair operation which involves the removal of any cover which gives protection against exposure to microwave energy.
18. This product is a Group 2 Class B ISM equipment. The definition of Group 2 which contains all ISM (Industrial, Scientific and Medical) equipment in which radio-frequency energy is intentionally generated and/or used in the form of electromagnetic radiation for the treatment of material, and spark erosion equipment. For Class B equipment is equipment suitable for use in domestic establishments and in establishments directly connected to a low voltage power supply network which supplies buildings used for domestic purpose.

Earthing Instructions

This appliance must be earthed. In the event of an electrical short circuit, earthing reduces the risk of electric shock by providing an escape wire for the electric current. This appliance is equipped with a cord having an earthing wire and with an earthing plug. The plug must be plugged into an outlet that is properly installed and earthed.

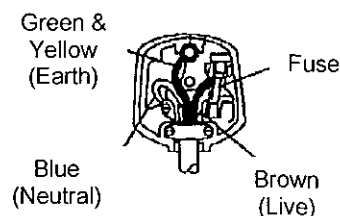
⚠ WARNING: Improper use of the earthing plug can result in a risk of electric shock. Consult a qualified electrician if the earthing instructions are not completely understood or if doubt exists as to whether the appliance is properly earthed. If it is necessary to use an extension cord, use only a 3 wire extension cord that has a 3 blade earthing plug and a 3 slot receptacle that will accept the plug on the appliance. The marked rating of the extension cord should be equal to or greater than the electrical rating of the appliance. Ensure that the extension cord cable does not over hang the counter top.

IMPORTANT

You should only plug the appliance into a 230V – 240V ~50Hz supply. Connecting it to other power sources may damage the appliance.

The wires in this mains lead are coloured in accordance with the following code

GREEN & YELLOW – Earth
BLUE – Neutral
BROWN - Live



As the colours of the wires in the mains lead of this appliance may not correspond with the coloured markings identifying the terminals in your plug, proceed as follows: The earth wire which is coloured green & yellow must be connected to the terminal in the plug which is marked with the letter 'E' or by the earth symbol or by green & yellow.

The neutral wire which is coloured blue must be connected to the terminal which is marked with the letter 'N' or coloured black.

The live wire which is coloured brown must be connected to the terminal which is marked with the letter 'L' or coloured red.

Installation

1. Make sure that all the packing materials are removed from the inside of the door.
2. **WARNING:** Check the oven for any damage, such as misaligned or bent door, damaged door seals and sealing surface, broken or loose door hinges and latches and dents inside the cavity or on the door. If there is any damage, do not operate the oven and contact qualified service personnel.
3. This microwave oven must be placed on a flat, stable surface to hold its weight and the heaviest food likely to be cooked in the oven.
4. Do not place the oven where heat, moisture, or high humidity are generated, or near combustible materials.
5. For correct operation, the oven must have sufficient airflow. Allow 30cm of space above the oven, 20cm at both sides. The minimum installation height is 85cm from the ground. Do not cover or block any openings on the appliance. Do not remove feet.
6. Do not operate the oven without glass tray, roller support, and shaft in their proper positions.
7. Make sure that the power supply cord is undamaged and does not run under the oven or over any hot or sharp surface.
8. The socket must be readily accessible so that it can be easily unplugged in an emergency.

Utensils Guide

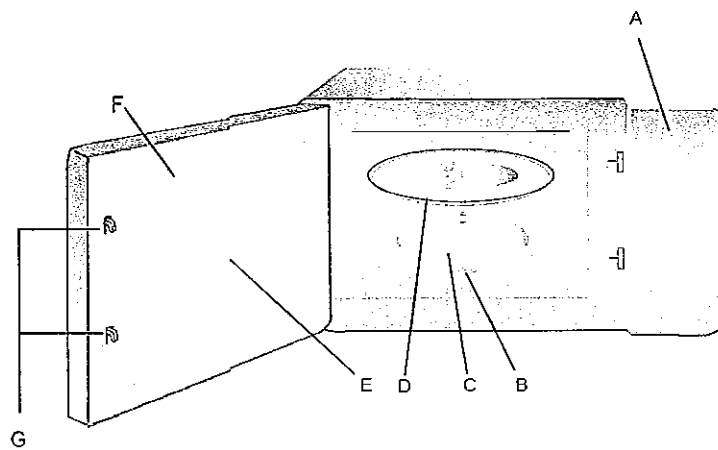
1. The ideal material for a microwave utensil is a Microwave safe transparent plastic dish.
2. Microwaves cannot pass through metal. Metallic utensils, dishes with metallic trim and aluminum foil should not be used.
3. Do not use recycled paper products when microwave cooking as they may contain small metal fragments which can cause sparks and/or fires.
4. Round/oval dishes rather than square dishes are recommended, as food in the corners tends to overcook.

The list below is a general guide to help you select the correct utensils.

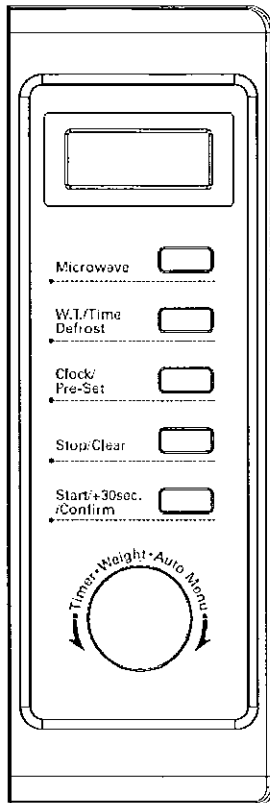
COOKWARE	MICROWAVE SAFE?
Heat-Resistant Glass	Yes
Non Heat-Resistant Glass	No
Heat-Resistant Ceramics	Yes
Microwave-Safe Plastic Dish	Yes
Kitchen Paper	Yes
Metal Tray	No
Metal Rack	No
Aluminium Foil & Foil Containers	No

Digital Microwave at a Glance

- A. Control Panel
- B. Turntable Shaft
- C. Turntable Ring
- D. Glass Plate
- E. Observation Window
- F. Door Frame
- G. Safety Interlock System



Control Panel



Operation Instructions

Each time you press a button a beep will sound.

Setting the Digital Clock

Before the first use, the digital clock will need to be set with the correct time, otherwise the microwave will not function. To start with the display will show '0:00'

1. Press 'CLOCK/ PRESET' button once. The hour figure will flash
2. Turn the control dial to adjust the hour figure. The time options will be between 0-23.
3. Press 'CLOCK/ PRESET' button again. The minute figure will flash.
4. Turn the control dial to adjust the minute figure. The time options will be between 0-59.
5. Press 'CLOCK/ PRESET' to confirm the setting. ':' will flash.

Microwave Cooking

The Microwave has 5 different output settings that can be selected before cooking.

1. Press the 'MICROWAVE' button once and 'P100' will display
2. Turn the control dial to select the desired microwave power. Please see table below.
3. Press 'START/+30SEC./CONFIRM' to confirm your choice
4. Turn the control dial to adjust the cooking time. The time can be adjusted from 0:05 to 95:00.
5. Press 'START/+30SEC./CONFIRM' to start the cooking.

Microwave Power	Display
100%	P100
80%	P80
50%	P50
30%	P30
10%	P10

Speedy Cooking

1. Press 'START/+30SEC./CONFIRM' button to cook with 100% power level for 30 seconds. Each press of the same key will increase the cooking time by 30 seconds. The maximum cooking time is 95 minutes.
2. When you are using the microwave in a setting from the auto menu or weight defrost cooking time cannot be increased by pressing the 'START/+30SEC./CONFIRM' button.

Auto Defrost

The oven allows the defrosting of meat, poultry, and seafood. The time and the defrosting power are adjusted automatically once the weight is programmed.

Defrost by Weight

1. Press 'W.T./TIME DEFROST' button once. The screen will display 'DEF1'
2. Turn the control dial to select the food weight. The range of weight is between 100-2000g.
3. Press 'START/+30SEC/CONFIRM' button to start defrosting.

Defrost by Time

1. Press 'W.T./TIME DEFROST' button twice. The screen will display 'DEF2'
2. Turn the control dial to select the defrosting time. The maximum defrosting time is 95 minutes.
3. Press 'START/+30SEC/CONFIRM' button to start defrosting.

Multi Stage Cooking

Some recipes may require setting a multi-stage program involving defrosting, and different power levels. The following example shows the steps in setting up such a program:

Example: If you want to defrost the food for 5 minutes, then to cook with 80% microwave power for 7 minutes. The steps are as follows;

1. Press **'W.T./TIME DEFROST'** twice, the screen will display **'dEF2'**
2. Turn the control dial to adjust defrost time of 5 minutes
3. Press **'MICROWAVE'** once
4. Turn the control dial to choose 80% microwave power **'P80'** will be displayed
5. Press **'START/+30SEC./CONFIRM'** to confirm
6. Turn the control dial to adjust the cooking time to 7 minutes
7. Press **'START/+30SEC./CONFIRM'**

NOTE:

The buzzer will ring after each stage and the next stage will begin

Pre-set Function

The Pre-set function allows you to programme in a desired cooking program and set it to start at a delayed time.

1. Make sure that the clock has already been set. Please see **'Setting the Digital Clock'** instructions.
2. Input the desired cooking program. Two stages can be set at the most. Defrost should not be set in a preset function.

Example: If you want to cook with 80% microwave power for 7 minutes.

1. Press **'MICROWAVE'** once
2. Turn the control dial to choose 80% microwave power until **'P80'** is displayed
3. Press **'START/+30SEC./CONFIRM'** to confirm
4. Turn the control dial to adjust the cooking time to 7 minutes
5. After the above steps please **DO NOT** press **'START/+30SEC./CONFIRM'** but do as follows
6. Press **'CLOCK/PRE-SET'** the minute figure will flash
7. Turn the control dial to adjust the minute figure the input time will be between 0-59 minutes
8. Press **'START/+30SEC/CONFIRM'** to finish setting **':'** will light, the buzzer will ring twice when the time arrives, then cooking will start automatically.

Child Lock

To set the lock press **'STOP/CLEAR'** for 3 seconds, there will be a long 'beep' denoting entering the child-lock state. The screen will display the locked indicator.

To release the lock press **'STOP/CLEAR'** for 3 seconds, there will be a long 'beep' denoting the lock is released.

Auto Menu

1. With no other setting applied, turn the control dial to the right to choose a menu between A-1 and A-8 (Please see table below of menu functions)
2. Press **'START/+30SEC./CONFIRM'** to confirm the menu you choose
3. Turn the control dial to choose the food weight
4. Press **'START/+30SEC./CONFIRM'** to start cooking
5. After cooking has finished, the buzzer will sound 5 times.

MENU	WEIGHT (G)	DISPLAY	POWER
A-1 REHEAT	200	200	100%
	400	400	
	600	600	
A-2 VEGETABLE	200	200	100%
	300	300	
	400	400	
A-3 FISH	250	250	80%
	350	350	
	450	450	
A-4 MEAT	250	250	100%
	350	350	
	450	450	
A-5 PASTA	50 (With water 450ml)	50	80%
	100 (With water 800ml)	100	
A-6 POTATO	200	200	100%
	400	400	
	600	600	
A-7 PIZZA	200	200	100%
	400	400	
A-8 SOUP	200	200	80%
	400	400	

Enquire Function

Whilst the microwave is cooking you can press the 'MICROWAVE' button to display the current power being used. It will be displayed for 2-3 seconds.

If you wish check the current time, press the 'CLOCK/PRESET' button. It will be displayed for 2-3 seconds

When a pre-set mode has been chosen you can press the 'CLOCK/PRE-SET' button to check the time for the delayed start cooking. This will show for 2-3 seconds then it will return to the normal clock display.

Notes

- The buzzer will sound once when turning the control dial at the beginning
- If cooking is interrupted and the door opened. 'START/+30SEC./CONFIRM' must be pressed to continue cooking.
- Once a cooking program has been set if the 'START/+30SEC./CONFIRM' is not pressed in 1 minute the setting will be cancelled and the current time will be displayed.

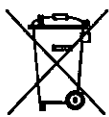
Cleaning and Care

1. Turn off the oven and remove the power plug from the wall socket before cleaning.
2. Keep the inside of the oven clean. When food splatters or spilled liquids adhere to oven walls, wipe with a damp cloth. Mild detergent may be used if oven gets very dirty. Avoid using spray and other harsh cleaners as they may stain, streak or dull the door surface.
3. Do not allow the control panel to become wet. Clean with a soft, damp cloth. When cleaning the control panel, leave oven door open to prevent oven from accidentally turning on.
4. If it becomes necessary to replace the oven light, please consult a dealer to have it replaced.
5. The oven should be cleaned regularly and any food deposits removed. Failure to maintain the oven in a clean condition could lead to deterioration of the surface that could adversely affect the life of the appliance and possibly result in a hazardous situation.

Troubleshooting

Problem	Possible Cause	Possible Solution
The oven doesn't work	<ol style="list-style-type: none"> 1. Not plugged in and/or switched on at the mains power outlet. 2. The door is not closed correctly. 3. Cooking time not set. 4. Fuse blown or tripped main circuit breaker. 	<ol style="list-style-type: none"> 1. Check that the oven is plugged in and switched on 2. The oven will not operate unless the door is sealed correctly. Check that there is no obstruction to the safety interlock. 3. Set the timer to the required cooking time. 4. Check the fuse in the plug top. Check the fuse board in your house and reset if necessary.
Sparking inside cavity	<ol style="list-style-type: none"> 1. There is metal inside the cavity. 	<ol style="list-style-type: none"> 1. Remove any metal utensils. Do not use tin foil to cover food. Ceramic dishes with a metallic trim should not be used.
Steam accumulating around door and vents	It is normal for some foods to generate steam. This is not a fault and will clear when the oven cools down.	
Glass turntable making a noise whilst operating	<ol style="list-style-type: none"> 1. The turntable shaft and roller ring not assembled correctly. 2. Dirt underneath roller ring affecting movement. 	<ol style="list-style-type: none"> 1. Assemble correctly according to the instructions. 2. Ensure the oven cavity is kept clean and free of any food debris.

Disposal of Old Electrical Appliances



The European Directive 2002/96/EC on Waste Electrical and Electronic Equipment (WEEE), requires that old household electrical appliances must not be disposed of in normal unsorted municipal waste. Old appliances must be collected separately in order to optimise the recovery and recycling of the materials they contain and reduce the impact on human health and the environment. The crossed out "wheeled bin" symbol on the product reminds you of your obligation, that when you dispose of the appliance it must be separately collected. Consumers should contact their local authority or retailer for information concerning the correct disposal of their old appliance.

Guarantee Information

This product is guaranteed for a period of 12 months from the date of purchase against mechanical and electrical defects.

You can extend your warranty for a further 12 months by registering your product online. Visit www.igenix.co.uk to register your extended warranty. Alternatively you can complete the warranty card enclosed with this manual and return to us by post. Product must be registered within 30 days of purchase.

The warranty does not cover consumable parts that require replacement under normal use or accessories. This includes the glass plate and control dials.

If your microwave oven becomes faulty within the guarantee period please contact our Customer Service department on 01473 271 272 or write to us at the address detailed below. Please quote the model number which begins IG, the 'Batch Number' beginning '5' and give details of the exact fault.

We will then decide whether to repair or replace the item.

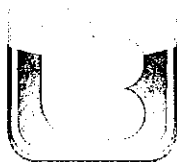
You will be required to return a copy of your proof of purchase. **Please retain your original.**

If an item is replaced within the guarantee period, the guarantee for the replacement item will be calculated from the purchase date of the original.

Before calling the Customer Service number please ensure you have checked the Troubleshooting guide on Page 9.

This product is for domestic household use only. To qualify for the guarantee the product must have been used according to the instructions in this User Manual. Any misuse of the product will result in the warranty being void.

View the range online at www.igenix.co.uk



Follow us on Twitter
[@Igenix_Products](https://twitter.com/Igenix_Products)

IGENIX

Tel: 01473 271 272

Fax: 01473 270 733

Email: info@igenix.co.uk

Website: www.igenix.co.uk

Postal Address:

Customer Service Department
Pik-a-Pak Electrical Distributors
38 Bluestem Road,
Ransomes Europark,
Ipswich, IP3 9RR

*When writing or emailing us to report a fault please ensure you attach a copy of your proof of purchase.
Please retain your original*